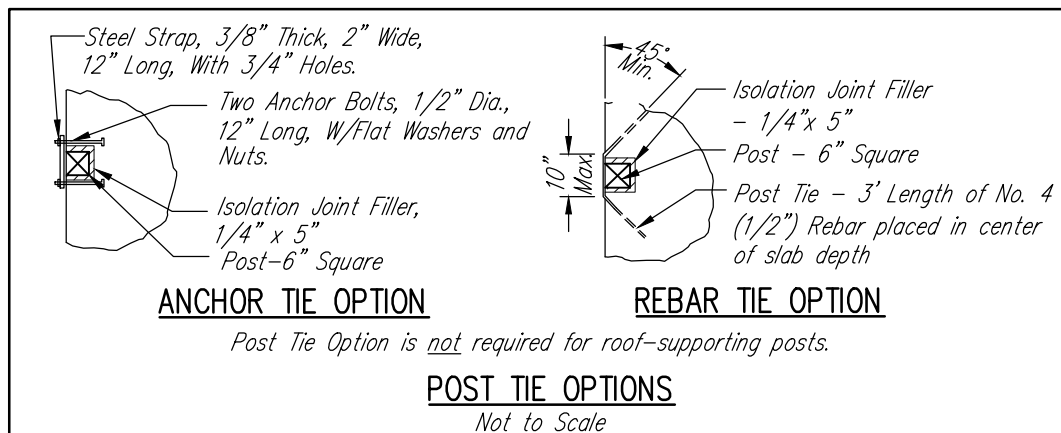
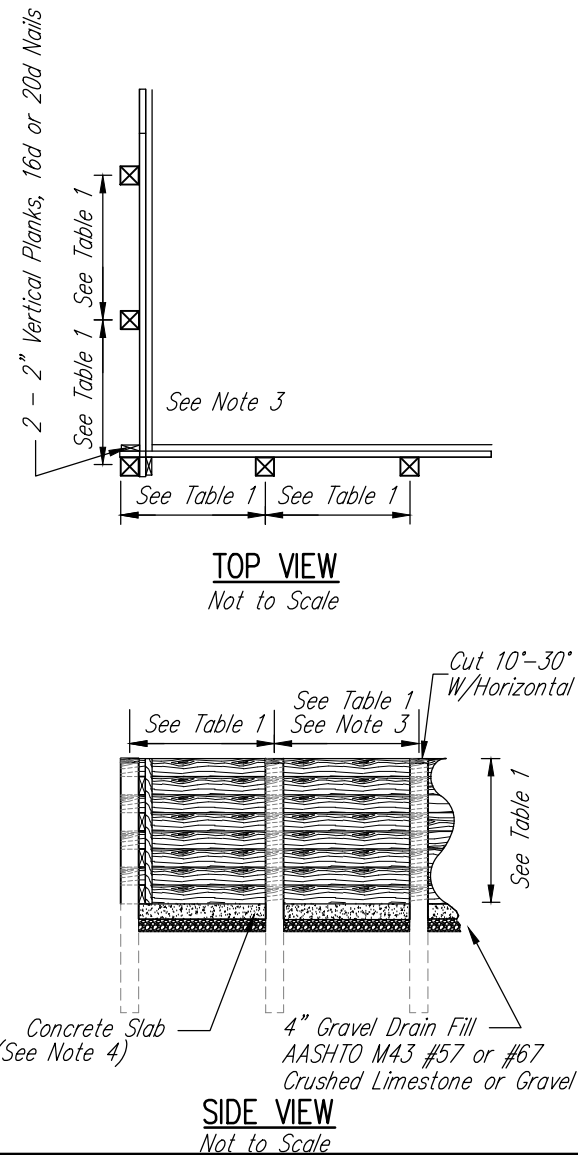


MAXIMUM POST SPACING 6" x 6" No. 1 & 6" x 8" No. 2	MAXIMUM WALL HEIGHT, h (FT.)		Select Scenario to Use: (X)
	Manure*	Compost*	
2.5	5.5	5.5	
3.0	5.0	5.5	
4.0	4.5	5.5	
4.5	4.0	5.5	
5.0	3.5	5.5	
6.0	2.5	4.5	
6" x 6" No. 2	Manure*	Compost*	
2.5	4.7	5.5	
3.5	4.5	5.0	
4.0	4.0	5.0	
4.5	4.0	4.5	
5.0	3.5	4.5	
6.0	2.5	4.0	

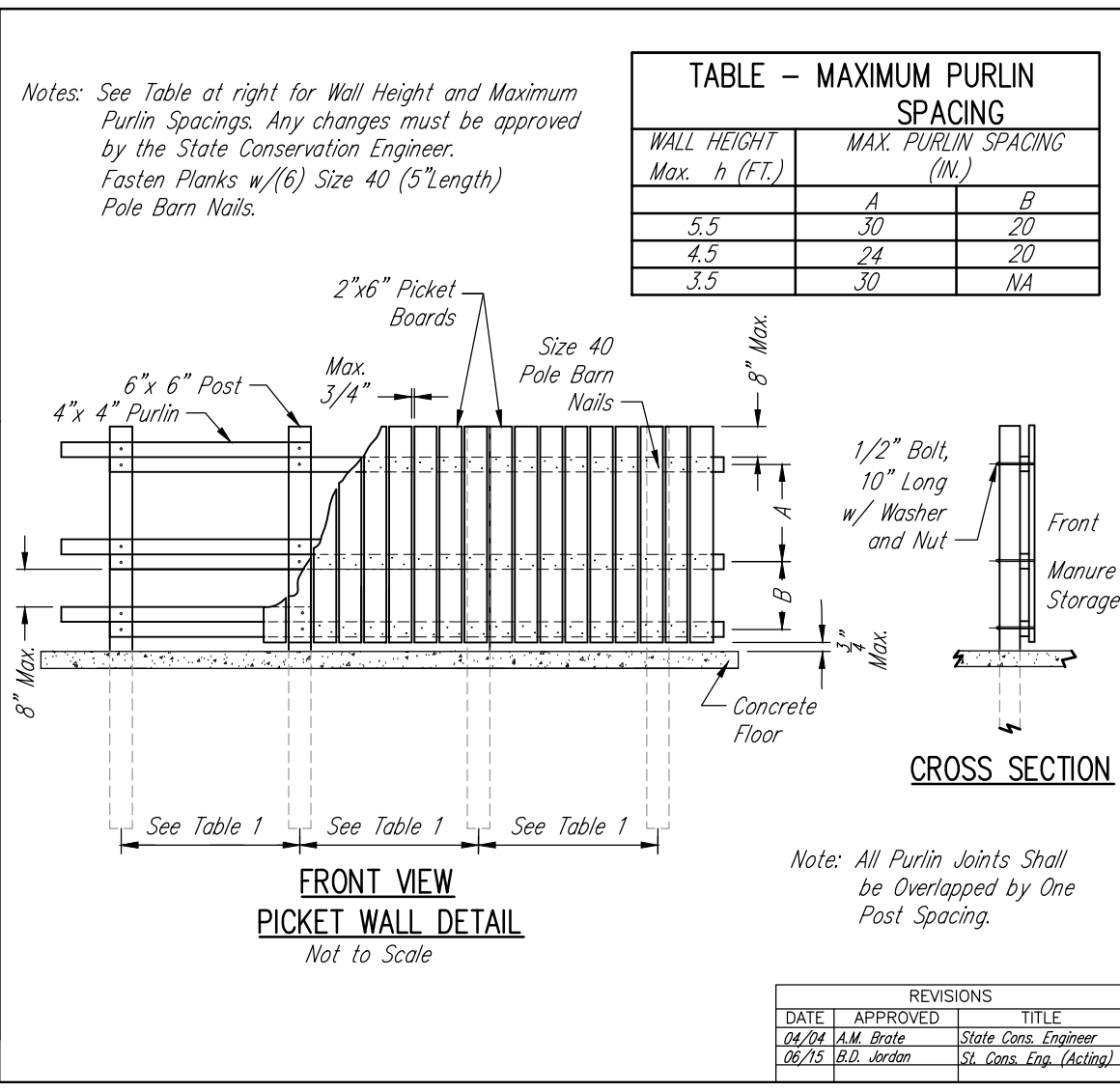
* Note: Manure loading = 60 lbs./Cu.Ft.
Compost loading = 35 lbs./Cu.Ft.

* Note: For roofed structures, maximum wall heights are as follows:

	Manure	Compost
For roof spans <32'	4.5'	5.5'
For roof spans >32'	4.0'	5.0'



- CONSTRUCTION NOTES:**
- All posts shall be grade stamped No. 2 or better (See Table 1), 0.6 Pounds per Cubic Foot retention Chromated Copper Arsenate (0.6 PCF CCA), Southern Yellow Pine (S.Y.P.). [All other lumber No. 2 or better, S.Y.P., 0.4 PCF CCA., and all fasteners shall be galvanized.]
 - If any other ACQ or MCQ type Preservative Treatment is used, then retention rates shall be the equivalent as for CCA, but all fasteners shall be hot dipped galvanized or stainless steel.
 - Table 1 is for solid tongue and groove plank walls, manure loading at 60 PCF and compost at 35 PCF. Any changes must be approved by the State Conservation Engineer.
 - See NRCS "Concrete" Construction Specification, 210-VI-Engineering Field Handbook, Exhibit OH17-1 for concrete slab requirements.
 - Maximum inside height of wall shall be 5.5 feet. Back fill optional, maximum height = 2/3h.
 - Post ties are not required when back filling to 2/3 the wall height, h. Post ties are required on all wall posts, included corner posts.
 - All plank joints shall be 2" nominal thickness, stagger joints.
 - For corner assembly, saw tongue off horizontal planks to merge at post. Vertical plank width shall match width dimension of adjacent post.
 - Isolation joints shall be used where newly poured concrete abuts existing concrete or abuts to a different, non-yielding structure or material (e.g. buildings, or posts).
 - When using pneumatic nailing guns, the pneumatic equipment and equivalent nail sizes shall be approved by the NRCS engineer prior to use.



WALL HEIGHT Max. h (FT.)	MAX. PURLIN SPACING (IN.)	
	A	B
5.5	30	20
4.5	24	20
3.5	30	NA

Date _____

Designed _____

Drawn _____

Checked _____

Approved _____

County, Ohio _____

Township _____

CLIENT: _____

United States Department of Agriculture

Natural Resources Conservation Service

File No. _____

Drawing No. OH-N-531-CAD

Sheet of _____

DATE	APPROVED	TITLE
04/04	A.M. Brate	State Cons. Engineer
06/15	B.D. Jordan	St. Cons. Eng. (Acting)